

# PL-52D18E/36E | PL-52D series

2MP 10x/36x Low Light Network PTZ



- 1/2.9" Low Light 1080P Sony Sensor
- Max 25/30fps@1080P Recording
- Support Dual Stream Encoding
- IP66 Rating
- DWDR/BLC/2D&3D Noise Reduction



## System Overview

PL-52D series high speed dome is a range of competitive 7 inch PTZ with compact design. The series are ideal choices for SMB solutions, such as buildings, factories, schools which are designed for indoor and outdoor.

With pan speed up to 480°/s, and tilt speed up to 240°/s, to promise a large video coverage and secured details. It's equipped with cutting edge IR Array LED of up to 150m and rugged casing rated with IP66 and IK 10.

## Functions

### H.265+

Delivering high quality video with up to 70% lower bandwidth.

H.265+ is the optimized evolution of H.265 and traditional H.264.

The Smart H.265+ includes a series of encoding strategy like Dynamic ROI, smart 2D&3D noise reduction etc to save up to 70% bandwidth and storage.

### Harsh conditions

ZKTeco PTZ cameras could run normally in harsh environment, working temperature range from -40°C ~+60°C with 95% humidity.

## Technical Parameters

### Camera

Model	PL-52D18E	PL-52D36E	Scanning System	Progressive
Image Sensor	Low light 1080P 1/2.9 inch Sony Sensor		Electronic Shutter	1/2s - 1/20,000s
Lens	18x f=5.35mm~96.3mm 36x f=4.6~165.6mm		Min. illumination	Color : 0.1Lux B/W : 0.01Lux (0 Lux when IR on)
			IR Distance	Up to 150 meters

### Video

Video Compression	H.265+/H.265/H.264+/H.264	WDR	DWDR	WDR≥120dB
Resolution	1080P(1920x1080)/720P(1280x720)/ CIF(352X288/352X240)	Day/Night	Auto(ICR)/Color/B/W	
Bit Rate Control	CBR/VBR	White Balance	Auto/Manual/Indoor/Outdoor	
Bit Rate	Main stream : 64Kbps~1Mbps Sub stream : 32Kbps~2000Kbps	Gain Control	Auto	
Audio Compression	G.711a/G.711u(32Kbps)/PCM(128Kbps)	Noise Reduction	2D & 3D DNR	
BLC	Supported	Motion Detetion	Supported	
		Privacy Mask	Up to 4 areas	

### Optional

Audio I/O	Optional	SD card slot	Optional
Alarm I/O	Optional		

### Network

Protocol	RTSP, FTP, SMTP, TCP/IP, UDP, DHCP, RTP, ARP, DNS, DDNS	Max. online User	Main stream : 3 Sub stream : 6
Onvif	Onvif profile S	Web Browser	IE, Chrome, Firefox

### P/T

Pan/Tilt Range	Pan: 0°~360° , Tilt: 0°~93°	Ingress Protection	IP66
Pan Speed	0~480°/s	Working Environment	-40 C ~+60 C
Tilt Speed	0~240°/s	Power Supply	DC 12V3A
Preset	220	Lightning Protection	EDS 6000V
Preset Speed	1-64 optional	OSD Menu	Call 95 preset
PTZ Mode	8 tour, 4 pattern, 1 horizontal scan	Default Bracket	Wall mount
Idle Motion	Activate preset/Scan/ Tour if there is no command in specified period	Dimensions	Φ215(mm)×350(mm)
Protocol	Pelco-D, Pelco-P	Net Weight	4.6KG
		Gross Weight	6.1KG

Ordering Information

Type	Part Number	Description
2MP PTZ Camera	PL-52D18E	2MP PTZ camera
	PL-52D36E	
	PL-52D18E-M	2MP PTZ camera with alarm and SD slot
	PL-52D36E-M	
	PL-52D18E-A	2MP PTZ camera with audio and SD slot
PL-52D36E-A		
Accessories	MT01	Corner mount
	MT02	Pole mount
	PB02	Pendant Mount

Accessories

Included:



Wall Mount

Optional:



PB02  
Pendant Mount

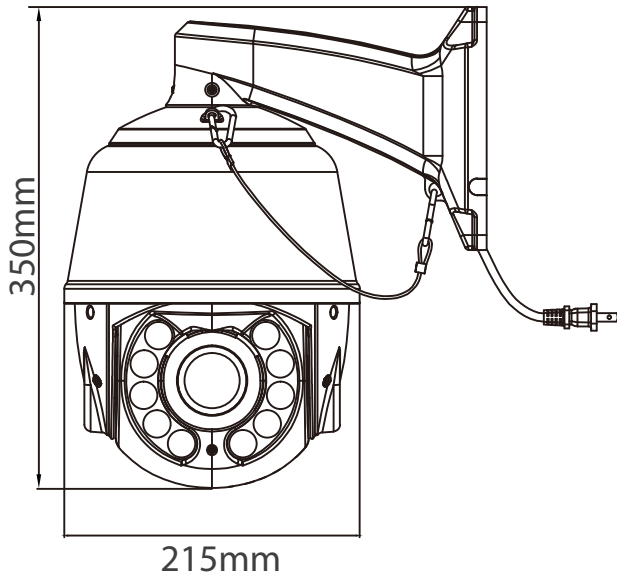


MT02  
Pole Mount



MT01  
Corner Mount

Dimensions (mm)



Wall Mount	Pendant Mount
Default	PB02
Corner Mount	Pole Mount
MT01	MT02



More details