

ES-32D11/12C | L series

2MP IR Eyeball Analog Camera



- 1/2.9" 2MP CMOS
- AHD/TVI/CVI/CVBS Video Output
- IR Effective Range 20m
- High Quality Optical Lens 2.8mm/3.6mm Optional
- Lightning Protection Up to 6KV
- IP67 Ingress Protection



System Overview

L series HD analog camera adopts advanced 4-in-1 ISP and 1/2.9" image sensor, featured by the excellent image details with wide FOV, compact design with unique 1-key installation base. It offers built-in UTC function to switch the signal output flexibly among the 4 popular technologies. It's ideal solution for SMB solution with high cost-performance ratio and simplicity for installation.

Functions

Long Distance Transmission

Powered by leading HD Videoloss technology, it supports up to 500m/800m transmission over RG59/RG6 coaxial cables separately.

Smart IR

L series is designed with smart IR function to avoid of the IR LED overexposure when object/people is getting closer to the camera in the night, ensuring the light intensity is changing proportionally with the distance between camera and objects.

Advanced 4 in 1 technology

L series is built in with advanced 4 in 1 technology, it's equipped with UTC chipset on board which could support to adjust HD analog signal output flexibly, such as AHD/TVI/CVI/CVBS. It's the final solution for true plug-n-play to work with any brand of HD analog DVR seamlessly.

Protection

With precise mechanical and rugged casing design, it stands against water and dust with industrial IP67 rank.

Support $\pm 30\%$ input voltage tolerance, it could work safely in extreme unstable power condition.

With working temperature range -30°C to $+60^{\circ}\text{C}$, it works well in a variety of harsh outdoor environments.

Technical Parameters

Camera

Model	ES-32D11C	ES-32D12C	Effective Pixels	1920(H)*1080(V)
Image Sensor	1/2.9" 2MP CMOS		S/N Ratio	50dB
Scanning System	Progressive		IR Distance	20m
Min. Illumination	0.01Lux/F2.0(color) 0 Lux with IR		IR LED No	2

Lens

Focal Length	2.8mm	3.6mm	FOV	89°	85°
Aperture	F2.0				

Video

Video Output	AHD/TVI/CVI/CVBS	AGC	Supported
Resolution	25/30fps@1080P	Day/Night	Auto(ICR)/Manual
OSD Menu	Supported	White Balance	Supported
BLC	Supported	Noise Reduction	3D DNR
WDR	DWDR		

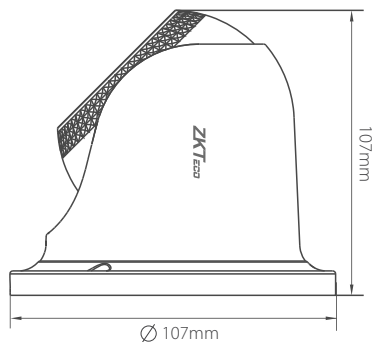
General

Working Temperature	-30 C ~+60 C	Ingress Protection	IP67
Working Humidity	10~90%	Dimensions	107(L)*107(W)*78(H)mm
Power Supply	DC12V±20%	Net Weight	0.38KG
Power Consumption	< 3.2W (IR cut off)	Gross Weight	0.48KG

Ordering Information

Type	Part Number	Description
2MP Camera	ES-32D11C	2MP Analog Camera(2.8mm Lens)
	ES-32D12C	2MP Analog Camera(3.6mm Lens)

Dimensions (mm)



More details

ZKTECO CO.,LTD.
www.zkteco.com
E-mail: sales@zkteco.com

Copyright ©2018 ZKTECO CO., LTD. All rights reserved.

