

# X8-BT

X8-BT is the most innovative biometric fingerprint reader for access control applications, offering unparalleled performance using an advanced algorithm with excellent reliability, precision and matching speed.

It can operate on standalone mode with the interface for third-party electric lock, alarm, door sensor, exit button and doorbell. Its touch keypad operation is easy and convenient, providing user a comfortable use experience. It supports Bluetooth communication, mobile phone App management, and realizes access control, user information registration, devices setting up.



## Specifications

### Fingerprint Capacity

500 Templates

### Card Capacity

500

### Transaction Capacity

N/A

### Sensor

SilkID Sensor

### Algorithm Version

ZKFinger VX10.0

### Communication

Bluetooth

### Access Control Interface

3rd Party Electric Lock, Door Sensor, Exit

Button, Alarm, Doorbell

### Standard Function

Simple access control function, ID card

### Optional Function

Mifare Card

### Power Supply

12V DC, 3A

### Operating Temperature

0 °C- 45 °C

### Operating Humidity

20%-80%

### Dimensions (LxWxH)

101.5x101.5x37mm

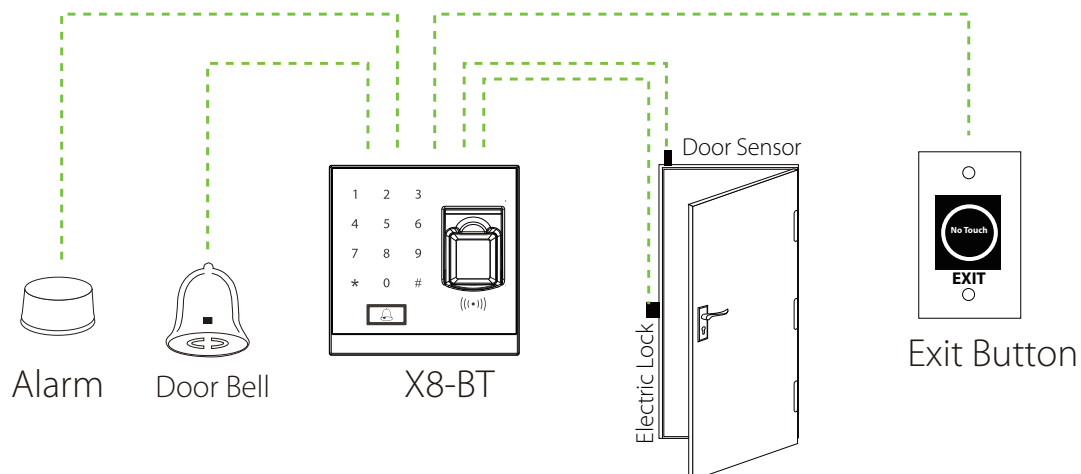
### SDK

N/A

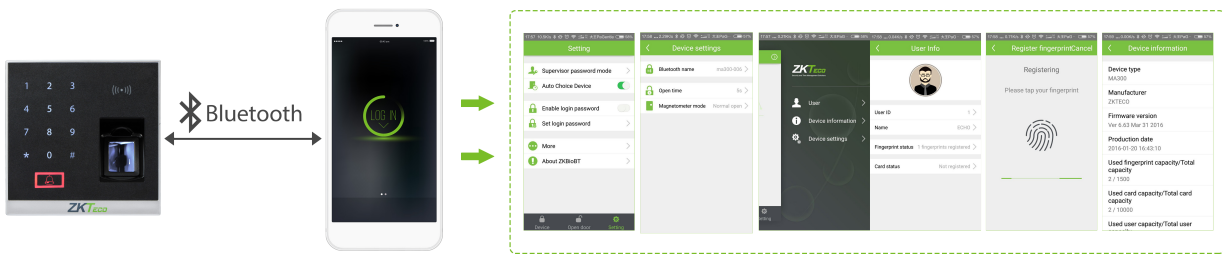
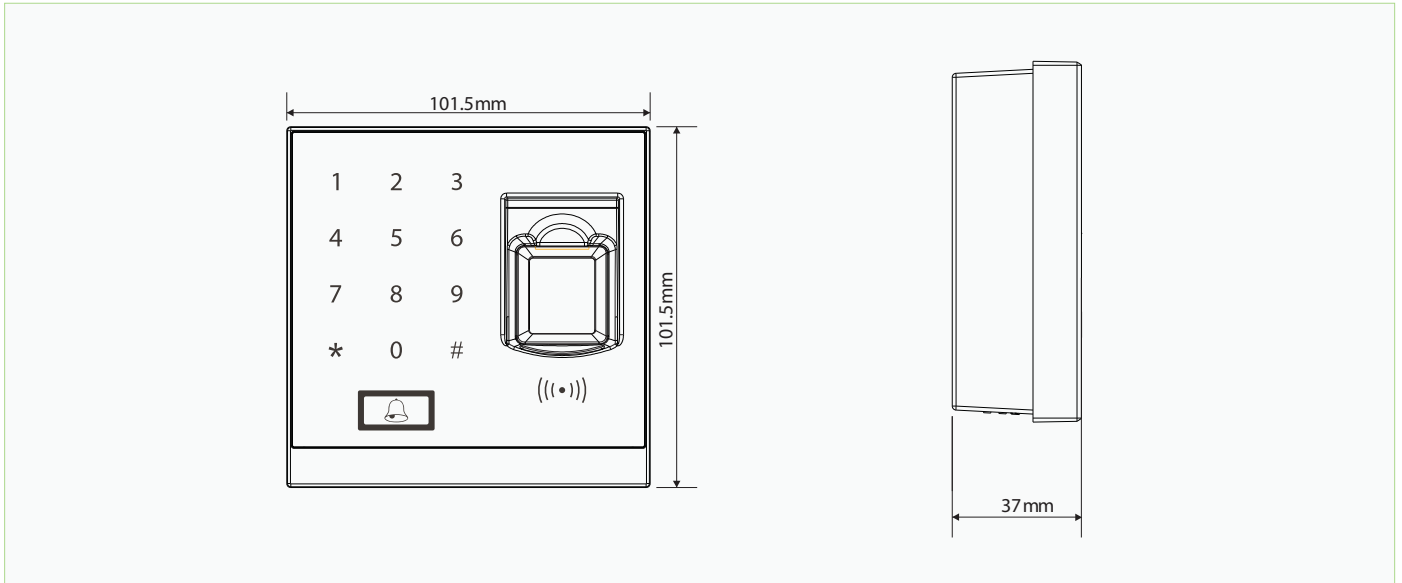
### Software

ZKBioBT APP

## Configuration



# Dimensions (mm)



## ZKBioBT APP Download



ios



Android

Scan the following QR code with your mobile phone, and download and install the APP.

Mobile phone requirement for APP installation: Android OS later than version 4.3, compliant with the Bluetooth protocol later than 7.1, devices later than iPhone 4s.

